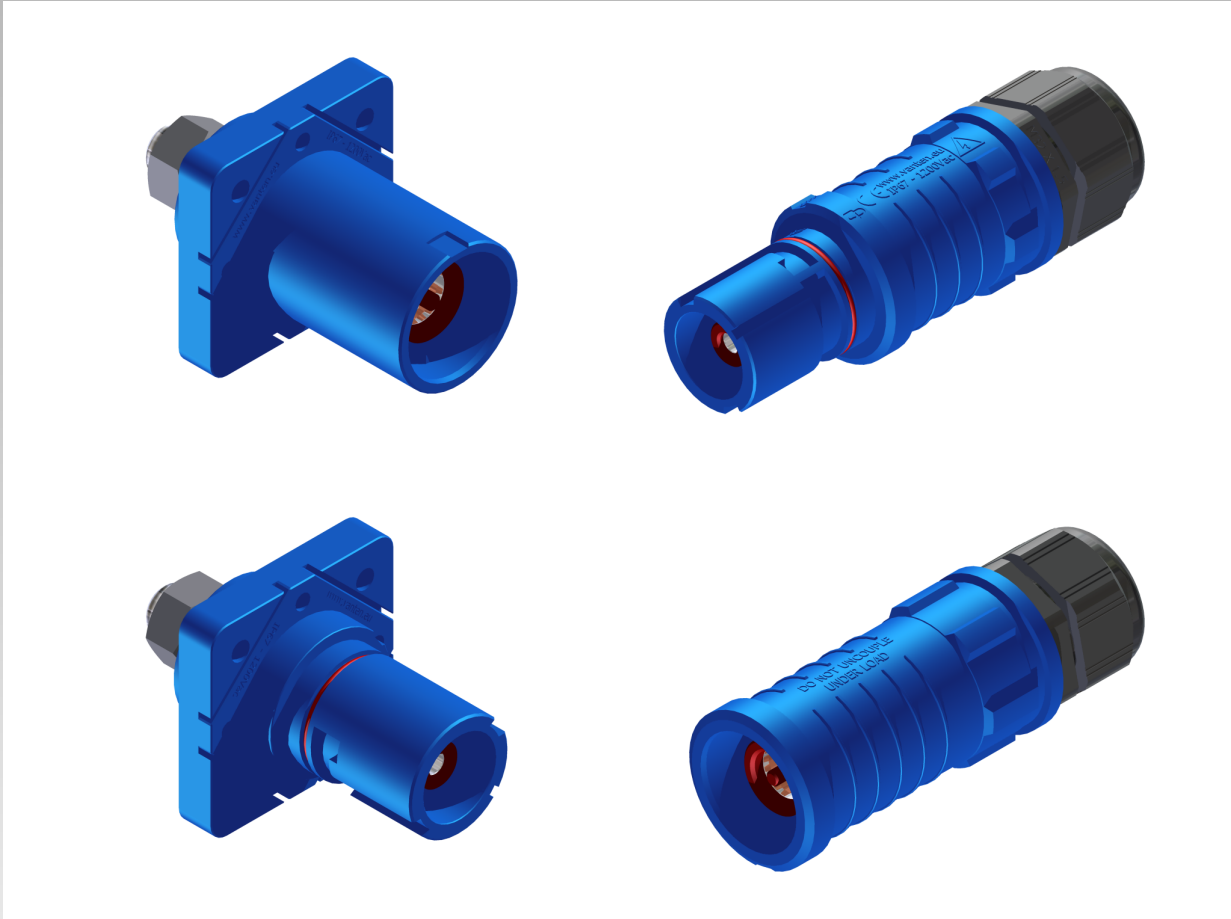




# VANTEN



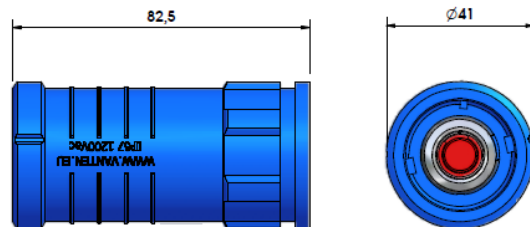
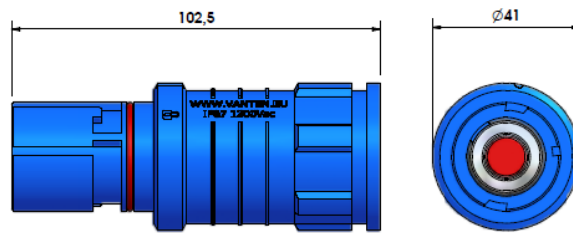
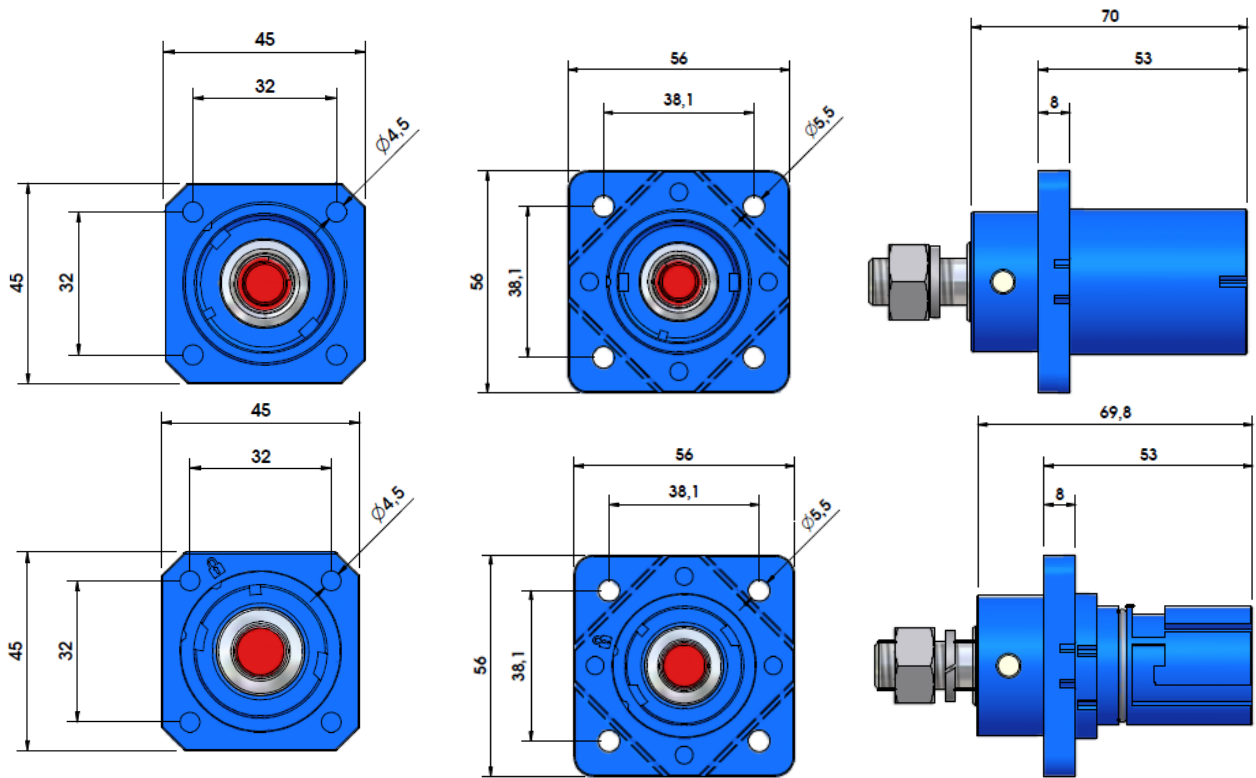
## 400A Keyed Single Pole Connectors

- **KSPC: Keyed Single Pole Connectors to EN 61984, IEC 60529 and BS7909**
- **IP2X: Finger Protection on Male and Female contacts**
- **Colour Coded and Mechanically Keyed to prevent connection errors**
- **UL94-V0 Rated**
- **IP67 Sealed when Mated**
- **From 16mm<sup>2</sup> to 120mm<sup>2</sup> (4/0AWG) cable size**
- **Multi louver contact system**
- **Reduced flange size option**
- **No special tools for assembly or disconnection**
- **Spring Locking action**



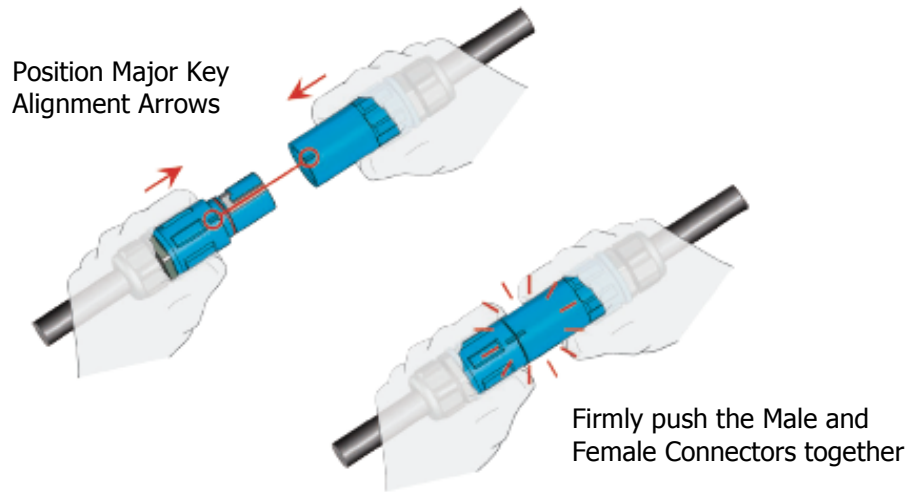


# VANTEN

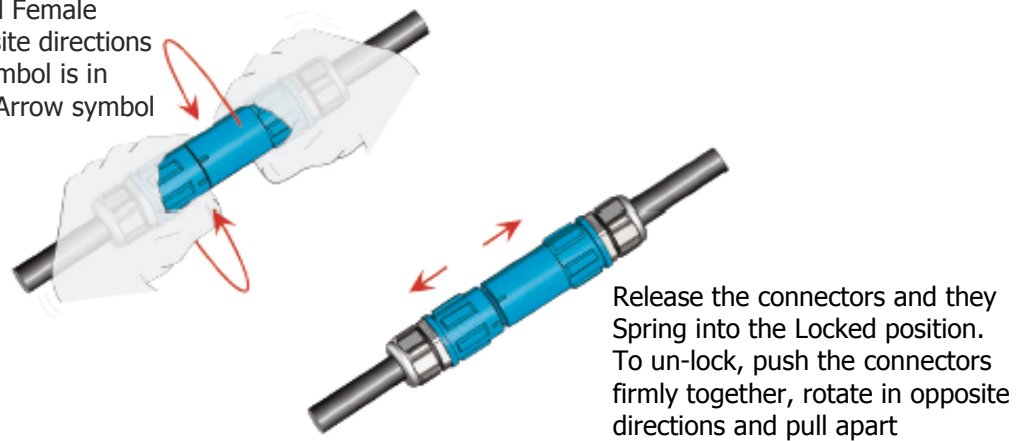




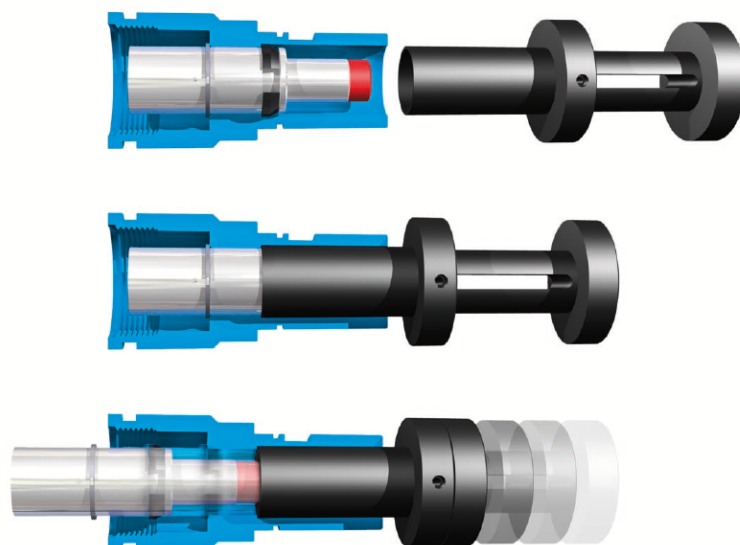
## MATING and Un-Mating VANTEN CONNECTORS



Rotate the Male and Female  
connectors in opposite directions  
until the Padlock symbol is in  
alignment with the Arrow symbol



## CONTACT REMOVAL





## Characteristics

<b>Insulation</b>	1250V
<b>Maximum panel thickness to guarantee insulation</b>	6mm
<b>Panel contact tightening torque</b>	30Nm Max
<b>Contact retention in Insulator</b>	400N axial load
<b>Inline contact retention</b>	Plastic Clip
<b>Panel mount contact retention</b>	Dowel Pin
<b>Contact release</b>	Front
<b>M32 Clamping range</b>	7mm ÷ 25mm
<b>Flammability</b>	UL94 V0
<b>Environmental sealing (when mated)</b>	IP67
<b>Connector protection</b>	IP2X
<b>Rated voltage to Earth</b>	1750VAC, panel thickness < 4mm 1250VAC, panel thickness > 4mm
<b>Contact resistance</b>	< 0.1mOhms
<b>Short circuit current</b>	11KA - 1 seconds
<b>Short circuit current</b>	4KA - 3 seconds
<b>Surge current (din VDE 0102/1.90)</b>	45KA - 10 mseconds
<b>Temperature range</b>	-30°C/+120°C

Series	Flange	Key Position	Colour	Contact	Cable gland
VTPF	R	E	GN	T2	

Series	
VTPF	Panel Female
VTPM	Panel Male
VTCF	Cable Female
VTCM	Cable Male
Reduced flange	
-	Normal
R	Reduced flange
Key Position	
1	Line 1
2	Line 2
3	Line 3
N	Neutral
E	Earth

Colour	
GN	Green
BU	Blue
BR	Brown
BK	Black
GY	Grey
RD	Red
YE	Yellow
WH	White

Contact Type	
C120	Crimp 95—> 120mm <sup>2</sup>
S70	Set Screw 70mm <sup>2</sup>
S50	Set Screw 50mm <sup>2</sup>
S35	Set Screw 35mm <sup>2</sup>
S25	Set Screw 25mm <sup>2</sup>
S16	Set Screw 16mm <sup>2</sup>
T2	Panel Mount 250A Brass
T4	Panel Mount 400A Copper
Cable gland	
OS	15-25mm
M	11-21mm
S	7-15mm

Local distributor

